

Materials:

Housing: 30% Glass filled PBT UL94V-0

Contacts: Phosphor Bronze

Electrical:

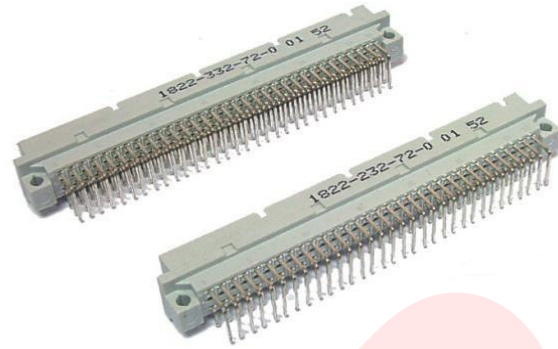
Current rating: 2A (at 20°C)

Contact resistance: $\leq 30m\Omega$

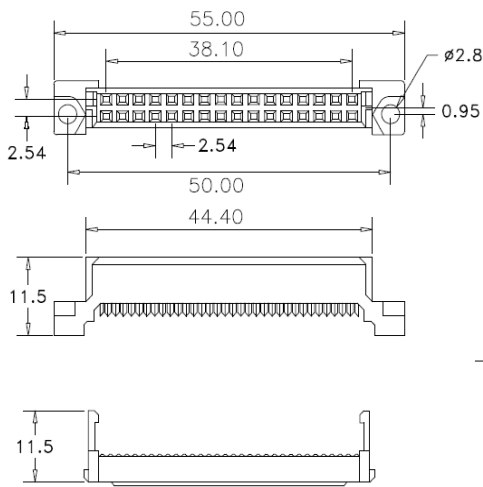
Insulator Resistance: 1000M Ω min. at DC 500V.

Diclectric Withstanding Voltage: 1000V for 1 minute.

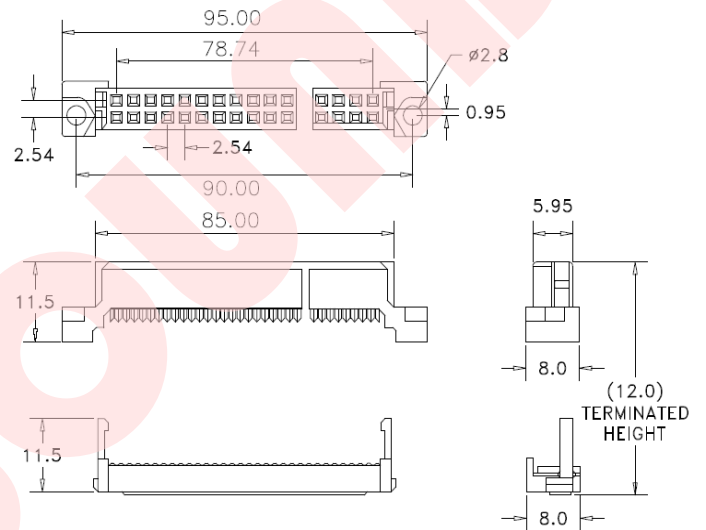
Working temperature: -55 to +125°C



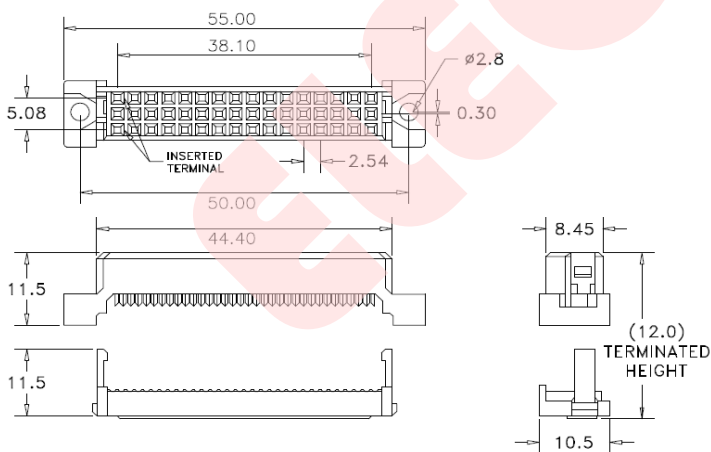
32Pins 2 Row



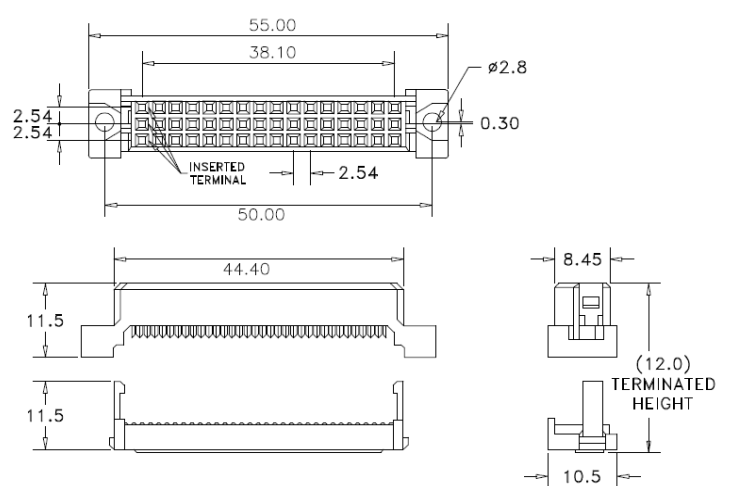
64pins 2 Row



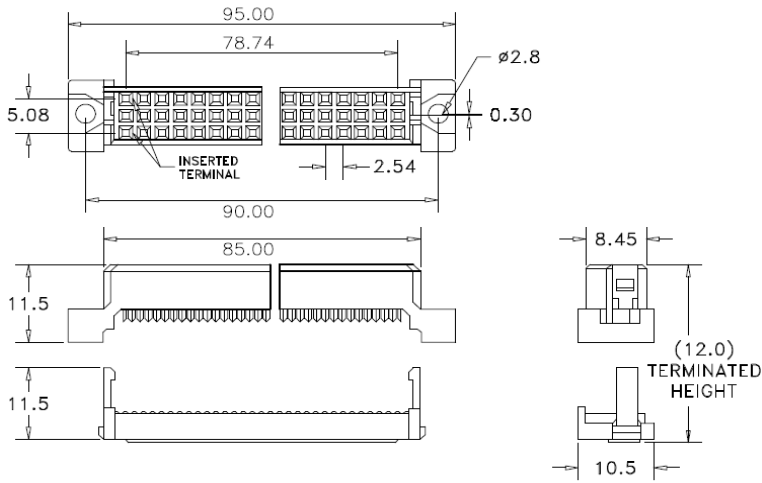
32Pins 3 Row



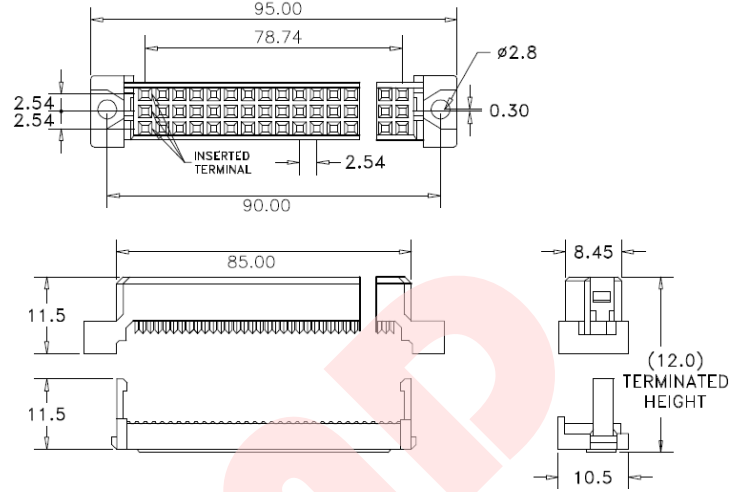
48Pins 3 Row



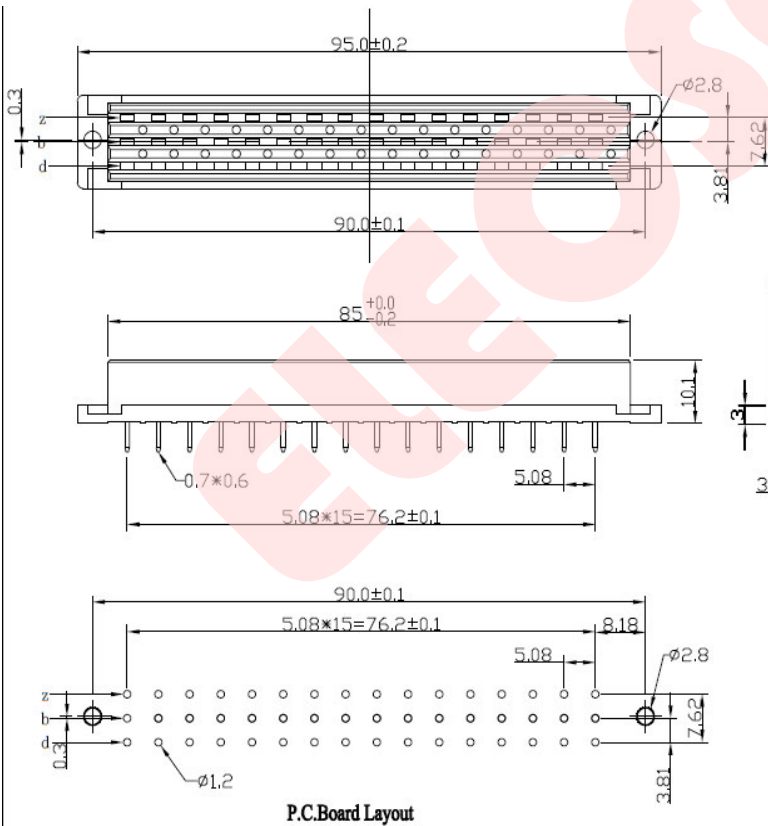
64Pins 3 Row



96Pins 3 Row



F Style



F Style 90 Degree

