

Single Turn Potentiometer

ET3361 Cermet Trimming Potentiometer **ELECSOUND®**

Elecsound is a leading manufacturer of trimming potentiometers with more than 10 years experiences in manufacturer. Our factory is located in Chengdu, China. Our products include: 3006, 3262, 3266, 3269, 3296, 3299, 3303, 3306, 3309, 3318, 3323, 3329, 3362, 3386, 3540 and 3590.

Square/ Single-Turn/ Cermet/ Industrial/ Sealed

2 Terminal Styles

Rohs Compliant

Electrical Characteristics

Standard Resistance Range: 10Ω - 2MΩ

Resistance Tolerance: ±10% std.

Absolute Minimum Resistance: ≤1% or 2Ω

Contact Resistance Variation: ≤3% or 3Ω

Insulation Resistance : R1 ≥ 1,000 MegΩ

Withstand Voltage : 700VAC

Effective Travel: 240° normal

Environmental Characteristics

Power Rating:(300V max)0.5W@70°C,0W@125°C

Temperature Range: -55°C to +125°C

Temperature Coefficient: ±100ppm/°C

Vibration:10-500Hz,0.75mm,6Hour:ΔR≤±5%

Shock: 390m/s, 4000cycles, ΔR≤±5%

Endurance:0.5W@70°C,1000H,ΔR≤10%

Rotational Life: 200Cycles,ΔR≤±5%

Physical Characteristics

Mechanical Angle: 270° normal

Starting Torque: ≤30mN·m

Flammability: UL.94V-0

Marking: Resistance code, Model

Standard Packaging: 500pcs per reel

How To Order:

ET3361 P - 1 - 502

Model _____
 Style _____
 Standard or Modified Product Indicator _____
 -1 = Standard Product
 Resistance Code _____

Standard Resistance Table:

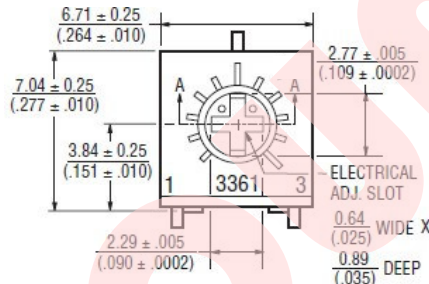
Resistance (Ohms)	Resistance Code
100	101
200	201
500	501
1000	102
2000	202
5000	502
10000	103
20000	203
25000	253
50000	503
100000	104
200000	204
250000	254
500000	504
1000000	105

Special Resistance Available

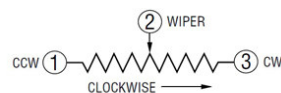
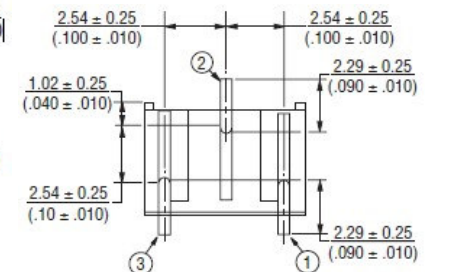
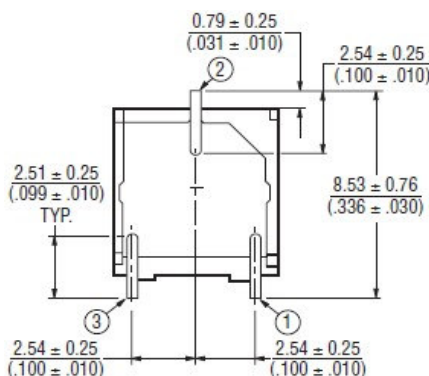
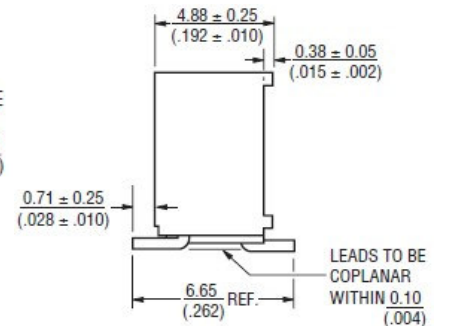
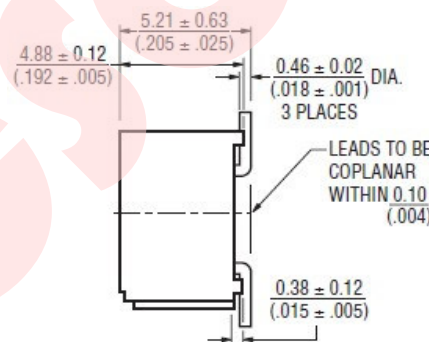
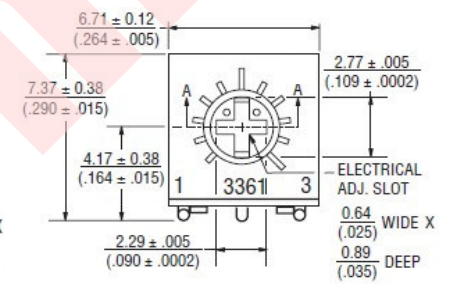


ET3361 Common Dimension & Adjust Method

ET3361P



ET3361S



Elecsound Technology Company Limited

TEL: 0086-755-82908842

FAX: 0086-755-83045964

Website: www.elecsound.com

Email: sales@elecsound.com