

Film Capacitors

EF6-CBB20 Axial Metallized Polypropylene Film Capacitors **ELECSOUND**®

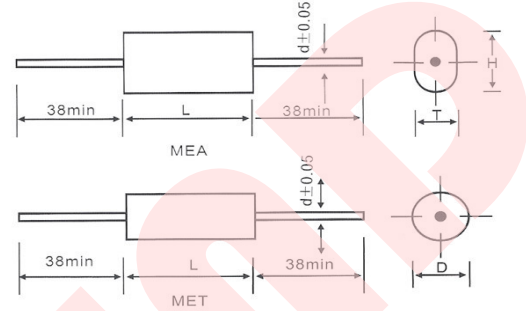
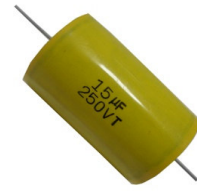
CBB20 are non-inductively wound with metallized polypropylene film as dielectric/electrode with copper-clad steel leads, wrapped with polyester adhesive tape and ends filled with epoxy resin.

Features:

- Small size, Light weight
- Good capacitance stability
- Excellent self-healing property
- Very low loss at high frequency
- Widely used in high frequency, DC, AC and pulse circuits

Technical Specifications:

- Reference Standard: GB10190 (IEC60384-16)
- Climatic Category: 40/85/21
- Rated Voltage: 250V, 400V, 630V
- Capacitance Range: 0.01 ~ 4.7 μ F
- Capacitance Tolerance: \pm 5% (J) ; \pm 10% (K)
- Voltage Proof: 1.6UR (2S)
- Dissipation Factor: \leq 0.001 (20 $^{\circ}$ C, 1 KHz)
- Insulation Resistance:
 - \geq 7500S, Cr > 0.33 μ F (20 $^{\circ}$ C, 1 min)
 - \geq 25000M Ω , Cr \leq 0.33 μ F (20 $^{\circ}$ C, 1 min)



外形图 Outline Drawing

Dimensions: (mm)

μ F	250VDC					μ F	400VDC					μ F	630VDC				
	L	H	T	D	d		L	H	T	D	d		L	H	T	D	d
0.01	15	9	3.5	6.5	0.6	0.01	15	10	4	7	0.6	0.01	15	9	4	7	0.6
0.012	15	9	3.5	6.5	0.6	0.012	15	10	4	7	0.6	0.012	15	10	4	7	0.6
0.015	15	9.5	4	7	0.6	0.015	15	10.5	4.5	7.5	0.6	0.015	15	10.5	4.5	7.5	0.6
0.018	15	10	4.5	7.5	0.6	0.018	15	11	4.5	7.5	0.6	0.018	15	11	4.5	7.5	0.6
0.022	15	8.5	3.5	6.5	0.6	0.022	15	10	4	7	0.6	0.022	15	11.5	4.5	7.5	0.6
0.027	15	9	3.5	6.5	0.6	0.027	15	10	4	7	0.6	0.027	15	18	5	8	0.8
0.033	15	9	4	7	0.6	0.033	15	10.5	4.5	7.5	0.6	0.033	15	13.5	5	9	0.8
0.039	15	9.5	4	7	0.6	0.039	15	11	4.5	7.5	0.6	0.039	15	14	5.5	9.5	0.8
0.047	15	10	4.5	7.5	0.6	0.047	15	11	5	8	0.6	0.047	15	14.5	6	10	0.8
0.056	15	10	4.5	7.5	0.6	0.056	15	11.5	5	8	0.6	0.056	20	13.5	5	9	0.8
0.068	15	10.5	5	8	0.6	0.068	15	12	5.5	8.5	0.6	0.068	20	14	5.5	9.5	0.8
0.082	15	12	5	9	0.6	0.082	15	14	5.5	9.5	0.6	0.082	20	14.5	5.5	9.5	0.8
0.1	15	13	5.5	9.5	0.6	0.1	15	14.5	6	10	0.6	0.1	20	15	6.5	10.5	0.8
0.12	20	11.5	4.5	8.5	0.6	0.12	20	13	5	9	0.6	0.12	20	15.5	7	11	0.8
0.15	20	12	5	9	0.8	0.15	20	13.5	5.5	9.5	0.6	0.15	20	16.5	7.5	11.5	0.8
0.18	20	12.5	5.5	9.5	0.8	0.18	20	14	6	10	0.8	0.18	25	16	7	11	0.8
0.22	20	13	6	10	0.8	0.22	20	15	6.5	10.5	0.8	0.22	25	16.5	7.5	11.5	0.8
0.27	20	14	6.5	10.5	0.8	0.27	20	15.5	7	11	0.8	0.27	25	17.5	8.5	12.5	0.8
0.33	20	14.5	7.5	11.5	0.8	0.33	20	16.5	8	12	0.8	0.33	25	19.5	9	14	0.8
0.39	25	13.5	6.5	10.5	0.8	0.39	25	15.5	7	11	0.8	0.39	30	18.5	8	13	0.8
0.47	25	14.5	7.5	11.5	0.8	0.47	25	16.5	8	12	0.8	0.47	30	19.5	9	14	0.8
0.56	25	15	8	12	0.8	0.56	25	17	8.5	12.5	0.8	0.56	30	20.5	10	15	0.8
0.68	25	16	9	13	0.8	0.68	25	18	9.5	13.5	0.8	0.68	30	22	11	16	0.8
0.82	25	17	10	14	0.8	0.82	25	19	10.5	14.5	0.8	0.82	30	23	12	16	0.8
1	25	18	11	15	0.8	1	25	20	11.5	15.5	0.8	1	30	24.5	13.5	18.5	0.8
1.2	25	19	12	16	0.8	1.2	25	21.5	12.5	16.5	0.8	1.2	30	26	15	20	0.8
1.5	30	19.5	10.5	15.5	0.8	1.5	30	21.5	11	16	0.8	1.5	30	28	17	22	0.8
1.8	30	20.5	11	16	0.8	1.8	30	23	11.5	16.5	0.8	1.8	30	30	19	24	0.8
2.2	30	22	13.5	18.5	0.8	2.2	30	24.5	14	19	0.8	2.2	30	32	21	26	0.8
2.7	30	23.5	14	19	0.8	2.7	30	26	14.5	19.5	0.8						
3.3	30	25.5	16.5	21.5	0.8	3.3	30	28	17	22	0.8						
4.7	30	29	20.5	25.5	0.8	4.7	30	31.5	21	26	0.8						

Note: Capacitors of special specifications are made according to customer's need.