

Chip Aluminum Electrolytic Capacitors

EAS6 - Long Life Assurance Aluminum Electrolytic Capacitors

ELECSOUND

Elecsound is a leading manufacturer of aluminum electrolytic capacitors. Mainly include radial type electrolytic capacitors and chip aluminum electrolytic capacitors.

Features:

Wide temperature range -55°C to +105°C with load life of 3000 hours
 Emboss carrier tape packing system is available for automatic insertion.
 Available for reflow soldering
 Designed for surface mounting on density circuit board.

High stability and reliability
 Available for high density surface mounting
 Rohs Compliant

Specifications:

Operating Temperature Range(°C): -55~+105
 Rated Voltage Range(V): 6.3~50V
 Nominal Capacitance Ranges(μF): 0.1~3300
 Capacitance Tolerance(20 °C,120Hz) : 20%

Leakage current Φ4~Φ10: <0.01CV or 3uA whichever is greater(at 25 °C ,after 2 minutes)
 (μA): Φ12.5~Φ16: <0.03CV or 4uA whichever is greater(at 25 °C ,after 1 minutes)

Resistance to Soldering Heat

Capacitance Change	Within ±10% of the initial value
Tanδ	Initial specified value or less
Leakage Current	Initial specified value or less

Dissipation Factor(25 °C,120Hz)

Rated Voltage (V)	6.3	10	16	25	35	50	
tan δ	Φ4~Φ10	0.28	0.24	0.2	0.16	0.13	0.12
	Φ12.5~Φ16	0.38	0.34	0.3	0.26	0.22	0.18

Stability at Low Temperature (Measurement frequency: 120Hz)

Rated voltage (V.DC)		6.3	10	16	25	35	50
Impedance ratio ZT/Z20 (max)	Φ4~Φ10	Z(-25°C)/Z(20°C)	3	3	2	2	2
	Z(-40°C)/Z(20°C)	8	5	4	3	3	3
Φ12.5~Φ16	Z(-25°C)/Z(20°C)	5	4	3	2	2	2
	Z(-40°C)/Z(20°C)	12	10	8	5	4	3

Load Life(+105 °C)

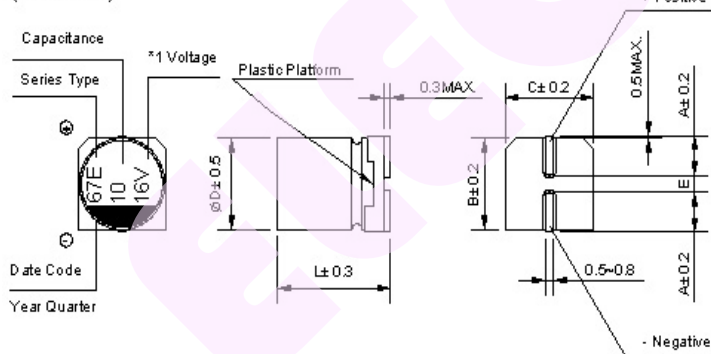
Time	3000 hours (2000 hours' for Φ4~Φ6.3x5.4)	Time	1000 hours
Leakage Current	Not more than the specified value.	Leakage Current	Not more than the specified value.
Capacitance Change	Within ±25% of the initial value	Capacitance Change	Within ±15% of the initial value.
Dissipation Factor	Not more than 200% of the specified value.	Dissipation Factor	Not more than 200% of the specified value.

After test:Rated Voltage to be applied for 30 minutes, 24 to 48 hours before measurement.

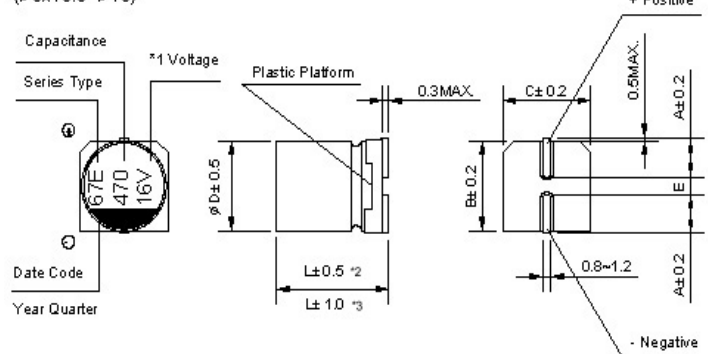
Shelf Life(+105 °C)

Dimensions : (Unit:MM)

(Φ4~Φ8x6.2)



(Φ8x10.5~Φ16)



D×L	4×5.4	5×5.4	6.3×5.4	6.3×7.7	8×6.2	8×10.5	10×10.5	10×13.5	12.5×13.5	12.5×16	16×16.5
A	1.8	2.1	2.4	2.4	3.3	2.9	3.2	3.2	4.7	4.7	5.5
B	4.3	5.3	6.6	6.6	8.3	8.3	10.3	10.3	12.8	12.8	16.3
C	4.3	5.3	6.6	6.6	8.3	8.3	10.3	10.3	12.8	12.8	16.3
E ± 0.2	1.0	1.3	2.2	2.2	2.2	3.1	4.4	4.4	4.4	4.4	6.7
L	5.4	5.4	5.4	7.7	6.2	10.5	10.5	13.5	13.5	16.0	16.5

Elecsound Technology Company Limited

TEL: 0086-755-82908842

FAX: 0086-755-83045964

Website: www.elecsound.com

Email: sales@elecsound.com

Chip Aluminum Electrolytic Capacitors

EAS6 - Long Life Assurance Aluminum Electrolytic Capacitors

ELECSOUND

Frequency Correction Factor of Rated Ripple Current

Frequency		50Hz	120Hz	300Hz	1kHz	10kHz~
Capacitance (μF)						
Φ4~Φ10	0.1~100	0.70	1.00	1.17	1.36	1.50
	150~1500	0.85	1.00	1.08	1.20	1.30
Φ12.5~Φ16	~470	0.75	1.00	1.35	1.57	2.00
	680~3300	0.85	1.00	1.23	1.34	1.50

Standard size & Maximum permissible ripple current

WV		6.3		10		16		25		35		50	
		0J		1A		1C		1E		1V		1H	
Cap. (μF)		Case Size	Ripple Current	Case Size	Ripple Current	Case Size	Ripple Current	Case Size	Ripple Current	Case Size	Ripple Current	Case Size	Ripple Current
0.1	0R1	-	-	-	-	-	-	-	-	-	-	4×5.8	1.0
0.22	R22	-	-	-	-	-	-	-	-	-	-	4×5.8	2.0
0.33	R33	-	-	-	-	-	-	-	-	-	-	4×5.8	3.0
0.47	R47	-	-	-	-	-	-	-	-	-	-	4×5.8	5.0
1	10	-	-	-	-	-	-	-	-	-	-	4×5.8	10
2.2	2R2	-	-	-	-	-	-	-	-	-	-	4×5.8	16
3.3	3R3	-	-	-	-	-	-	-	-	-	-	4×5.8	16
4.7	4R7	-	-	-	-	-	-	4×5.8	13	4×5.8	14	5×5.8	23
10	100	-	-	-	-	4×5.8	18	5×5.8	20	5×5.8	21	6.3×5.8	35
22	220	4×5.8	22	5×5.8	25	5×5.8	27	6.3×5.8	36	6.3×5.8	38	6.3×7.7 (8×6.2)	70 (70)
33	330	5×5.8	27	5×5.8	30	6.3×5.8	40	6.3×5.8	60	6.3×7.7 (8×6.2)	84 (84)	8×10.5	90
47	470	5×5.8	33	6.3×5.8	41	6.3×5.8	48	6.3×7.7 (8×6.2)	90 (91)	8×10.5	98	8×10.5	90
100	101	6.3×5.8	50	6.3×5.8 (8×6.2)	53 (110)	6.3×5.8	60	8×10.5	130	8×10.5	130	10×10.5	100
150	151	6.3×5.8	55	6.3×7.7	105	6.3×7.7	95	8×10.5	140	10×10.5	315	10×10.5	100
220	221	6.3×7.7	100	8×10.5	210	8×10.5	210	10×10.5	190	10×10.5	315	10×13.5 (10×10.5)	250 (100)
330	331	8×10.5	210	8×10.5	210	8×10.5	210	10×10.5	315	10×10.5	315	12.5×13.5	400
470	471	8×10.5	210	10×10.5	315	10×10.5	315	10×10.5	315	12.5×13.5 (10×13.5)	500 (360)	16×16.5 (12.5×16)	650 (500)
680	681	8×10.5	210	10×10.5	315	10×10.5	315	10×13.5	380	12.5×13.5	500	-	-
1000	102	10×10.5	315	10×13.5	360	12.5×13.5	450	12.5×13.5	550	16×16.5	700	-	-
				(10×10.5)	(315)	(10×13.5)	(350)			(12.5×16)	(550)	-	-
				-	-	(10×10.5)	(315)			-	-	-	-
1500	152	10×13.5	450	12.5×13.5	500	12.5×13.5	500	12.5×16	800	-	-	-	-
		(10×10.5)	(315)							-	-	-	-
2200	222	12.5×13.5	620	12.5×16	650	16×16.5	900	16×16.5	1000	-	-	-	-
				(12.5×13.5)	(600)					-	-	-	-
3300	332	12.5×16	750	16×16.5	950	-	-	-	-	-	-	-	-

Ripple Current (mA rms) at 105°C 120Hz