

# Varistor (ZOV)

## EV1 - 5mm Zinc Oxide Varistors

**ELECSOUND®**

Elecsound is a manufacturer of ZINC OXIDE VARISTOR. we offer 5mm, 7mm, 10mm, 14mm and 20mm dipped varistors.

Wide Operating voltage (V1mA) range from 18V~750V

Withstanding Surge Current: 100~800A

Model Size: 5mm

Fast responding to transient over-voltage<25ns

Low Clamping ratio and no following-on current

Rohs Compliant

Transistor, Diode, IC, Thyristor or diac semiconductor protection

Surge protection in consumer electronics

Surge protection in industrial electronics

Surge protection in electronic home appliance, gas and petroleum.

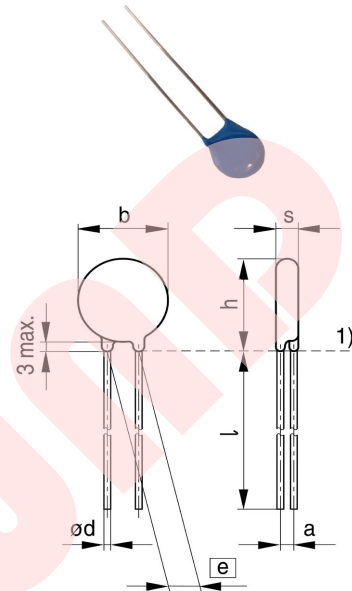
Relay and electromagnetic valve surge absorption

### How To Order

EV1	05	D	471	K	T
MARKing	Chip Diameter	D: Disk	Voltage	Tolerance	Packing Style
	05 : 5mm	S: Square	471: 47x10 <sup>1</sup>	K=±10%	T: Tape
	07 : 7mm	E: Other		L=±15%	
	10 : 10mm				Nothing: bulk
	14 : 14mm				
20 : 20mm					

### Diameter And Size(Unit: mm)

Voltage	B (Max.)	H (Max.)	L (Min.)	E ±1	ød (Max.)	S (Max.)
180K-680K	7.5	9.5	25	5	0.6	5.0
820K-201K	7.5	9.5	25	5	0.6	5.0
221K-331K	7.5	9.5	25	5	0.6	5.5
361K-471K	7.5	9.5	25	5	0.6	6.0
511K-561K	7.5	9.5	25	5	0.6	6.5
621K-751K	7.5	9.5	25	5	0.6	7.0



### Electrical Characteristics

Part number	Voltage at DC1mA (25°C)	Max. Continuous Applied Voltage		Max. Voltage at Class Current Vc(V)	Class Current (8/20us) Ip(A)	Energy Surge (10/1000us) high(J)	Std. Energy (J)	Max. Peak Current (A)	Std.I (A)	Rated Power (W)	Typical Capatance @1KHz(pf)
		AC(V)	DC(V)								
EV1-05D180L	18(15-21.6)	11	14	40	1	0.6	0.4	250	100	0.01	3500
EV1-05D220K	22(19.5-24)	14	18	48	1	0.7	0.5	250	100	0.01	2800
EV1-05D270K	27(24-31)	17	22	60	1	0.9	0.6	250	100	0.01	2200
EV1-05D330K	33(29.5-36.5)	20	26	73	1	1.1	0.8	250	100	0.01	1800
EV1-05D390K	39(35-43)	25	31	86	1	1.2	0.9	250	100	0.01	1450
EV1-05D470K	47(42-52)	30	38	104	1	1.5	1.1	250	100	0.01	1150
EV1-05D560K	56(50-62)	35	45	123	1	1.8	1.3	250	100	0.01	1050
EV1-05D680K	68(61-75)	40	56	150	1	2.2	1.6	250	100	0.01	970
EV1-05D820K	82(74-90)	50	65	165	5	3.5	2.5	800	600	0.1	930
EV1-05D101K	100(90-110)	60	85	175	5	4.1	3	800	600	0.1	860
EV1-05D121K	120(108-132)	75	100	210	5	4.5	3.5	800	600	0.1	670
EV1-05D151K	150(135-165)	95	125	260	5	6.5	4.5	800	600	0.1	490
EV1-05D181K	180(162-198)	115	150	320	5	7.5	5.5	800	600	0.1	330
EV1-05D201K	200(180-225)	130	170	355	5	9	6	800	600	0.1	240
EV1-05D221K	220(198-242)	140	180	380	5	9	6	800	600	0.1	190
EV1-05D241K	240(216-264)	150	200	415	5	10.5	8	800	600	0.1	165
EV1-05D271K	270(243-297)	175	225	475	5	12	8	800	600	0.1	150
EV1-05D301K	300(270-330)	190	250	520	5	13	9	800	600	0.1	135
EV1-05D331K	330(297-363)	210	275	570	5	15	10	800	600	0.1	130
EV1-05D361K	360(324-396)	230	300	620	5	16	11	800	600	0.1	125
EV1-05D391K	390(351-429)	250	320	675	5	17	12	800	600	0.1	105
EV1-05D431K	430(387-473)	275	350	745	5	20	15	800	600	0.1	100
EV1-05D471K	470(423-517)	300	385	810	5	21	15	800	600	0.1	90
EV1-05D511K	510(459-561)	320	418	842	5	22	16	800	600	0.1	85
EV1-05D561K	560(504-616)	350	460	920	5	23	17	800	600	0.1	80
EV1-05D621K	620(558-682)	385	505	1025	5	24	18	800	600	0.1	75
EV1-05D681K	680(612-748)	385	560	1120	5	25	19	800	600	0.1	68
EV1-05D751K	750(675-825)	460	615	1240	5	32	22	800	600	0.1	50

**Elecsound Technology Company Limited**

TEL: 0086-755-82908842

FAX: 0086-755-83045964

Website: [www.elecsound.com](http://www.elecsound.com)

Email: [sales@elecsound.com](mailto:sales@elecsound.com)