

Single Turn Potentiometer

ET3309 Cermet Trimming Potentiometer

ELECSOUND®

Elecsound is a leading manufacturer of trimming potentiometers with more than 10 years experiences in manufacturer. Our factory is located in Chengdu, China. Our products include: 3006, 3262, 3266, 3269, 3296, 3299, 3303, 3306, 3309, 3318, 3323, 3329, 3362, 3386, 3540 and 3590.

Round/ Single-Turn/ Cermet/ Industrial
 2 Terminal Styles
 Rohs Compliant



Electrical Characteristics

Standard Resistance Range: 100Ω - 2MΩ
 Resistance Tolerance: ±30% std.
 Absolute Minimum Resistance: ≤1% max.
 Contact Resistance Variation: ≤3% max.
 Resistance: Essentially infinite
 Adjustment Angle: 235° normal

Environmental Characteristics

Power Rating: (50VDC max) 0.5W@70°C
 Temperature Range: -30°C to +100°C
 Temperature Coefficient: ±250ppm/°C
 Load Life: 1000hours, 0.3W @70°C

Physical Characteristics

Mechanical Angle: 260° ±10°
 Operating Torque: ≤30mN·m
 Terminals: Solderable pins
 Marking: Resistance code
 Standard Packaging: 200pcs per bag

How To Order:

ET3309 W - 1 - 103

Model _____
 Style _____
 P = Top adjust
 W = Single side (front) adjust
 Rotor Style _____
 -1 = Standard
 Resistance Code _____

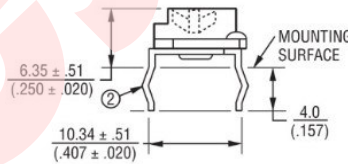
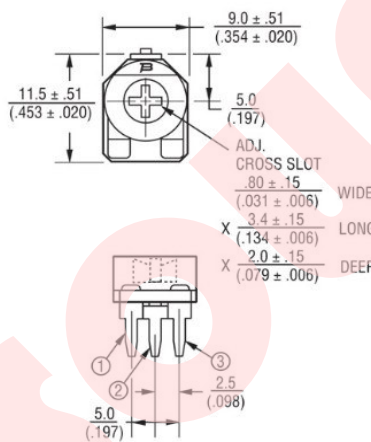
Standard Resistance Table:

Resistance (Ohms)	Resistance Code
100	101
200	201
500	501
1000	102
2000	202
5000	502
10000	103
20000	203
25000	253
50000	503
100000	104
200000	204
250000	254
500000	504
1000000	105
2000000	205

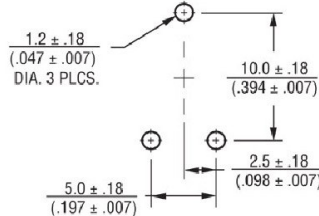
Special Resistance Available

ET3309 Common Dimension

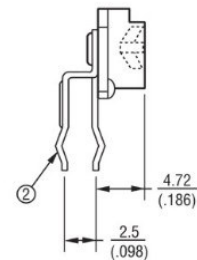
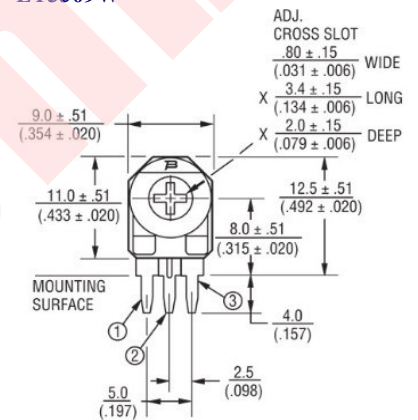
ET3309P



ET3309P-PCB layout



ET3309W



ET3309W-PCB layout

