

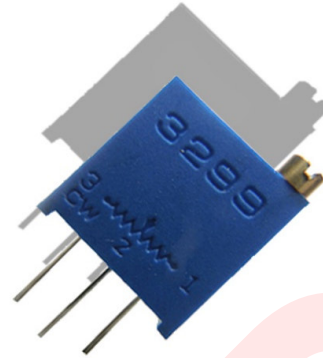
# Multiturn Potentiometer

## ET3299 Cermet Trimming Potentiometer

**ELECSOUND®**

Elecsound is a leading manufacturer of trimming potentiometers with more than 10 years experiences in manufacturer. Our factory is located in Chengdu, China. Our products include: 3006, 3262, 3266, 3269, 3296, 3299, 3303, 3306, 3309, 3318, 3323, 3329, 3362, 3386, 3540 and 3590.

Square/Multiturn/ Cermet/ Industrial/ Sealed  
 5 Terminal Styles  
 Standoffs  
 Rohs Compliant



### Electrical Characteristics

Standard Resistance range: 10Ω - 2MΩ  
 Resistance Tolerance: ±10% std.  
 Absolute Minimum Resistance: ≤1% or 2Ω  
 Contact Resistance Variation: ≤3% or 3Ω  
 Insulation Resistance : R1 ≥ 1,000 MegΩ  
 Withstand Voltage : 640VAC  
 Effective Travel: 30 turns normal

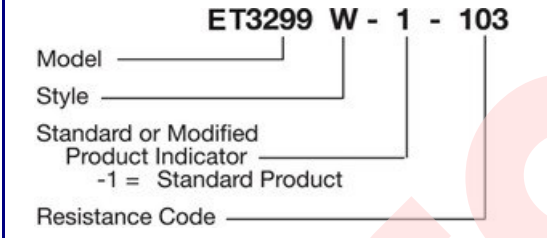
### Environmental Characteristics

Power Rating:(300V max.) 0.5W@70°C, 0W@125°C  
 Temperature Range: -55°C to +125°C  
 Temperature Coefficient: ±100ppm/°C  
 Vibration: 10-500Hz, 0.5mm, 6Hour: ΔR ≤ ±2%  
 Shock: 390m/s, 4000cycles, ΔR ≤ ±3%  
 Electrical Endurance:0.5W@70°C,1000H,ΔR ≤ 3%  
 Rotational Life: 200Cycles,ΔR ≤ ±3%

### Physical Characteristics

Starting Torque: ≤35mN·m  
 Flammability: UL94V-0  
 Marking: Resistance code, Model  
 Standard Packaging: 50pcs per tube

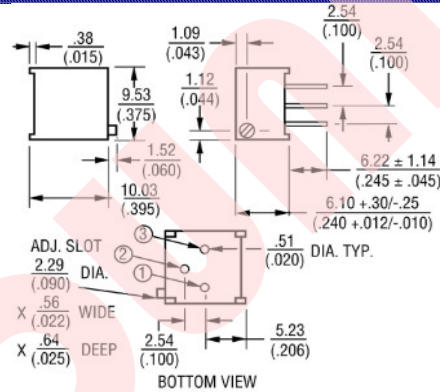
### How To Order:



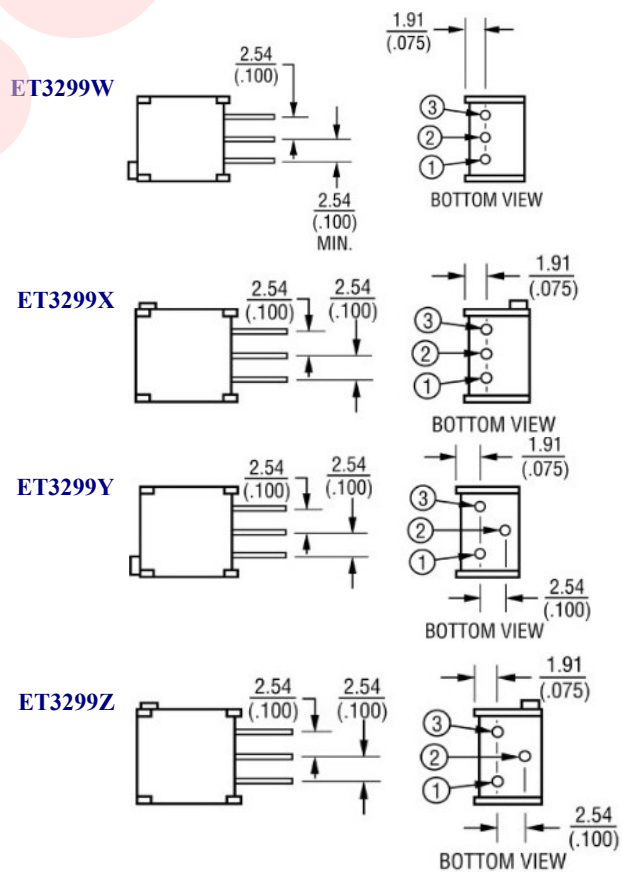
### Standard Resistance Table:

| Resistance (Ohms) | Resistance Code |
|-------------------|-----------------|
| 10                | 100             |
| 20                | 200             |
| 50                | 500             |
| 100               | 101             |
| 200               | 201             |
| 500               | 501             |
| 1000              | 102             |
| 2000              | 202             |
| 5000              | 502             |
| 10000             | 103             |
| 20000             | 203             |
| 25000             | 253             |
| 50000             | 503             |
| 100000            | 104             |
| 200000            | 204             |
| 250000            | 254             |
| 500000            | 504             |
| 1000000           | 105             |
| 2000000           | 205             |

### ET3299 Common Dimension



### Adjust Method



# Elecsound Technology Company Limited

TEL: 0086-755-82908842

FAX: 0086-755-83045964

Website: [www.elecsound.com](http://www.elecsound.com)

Email: [sales@elecsound.com](mailto:sales@elecsound.com)