

# Multiturn Potentiometer

## ET3266 Cermet Trimming Potentiometer

**ELECSOUND®**

Elecsound is a leading manufacturer of trimming potentiometers with more than 10 years experiences in manufacturer. Our factory is located in Chengdu, China. Our products include: 3006, 3262, 3266, 3269, 3296, 3299, 3303, 3306, 3309, 3318, 3323, 3329, 3362, 3386, 3540 and 3590.

Square/Multiturn/ Cermet/ Industrial/ Sealed

5 Terminal Styles

Rohs Compliant

### Electrical Characteristics

Standard Resistance range: 10Ω - 2MΩ

Resistance Tolerance: ±10% std.

Absolute Minimum Resistance: ≤1% or 2Ω

Contact Resistance Variation: ≤3% or 3Ω

Insulation Resistance : RI ≥1,000 MegΩ

Withstand Voltage : 500VAC

Effective Travel: 12 turns normal

### Environmental Characteristics

Power Rating:(315V max.)0.25W@70°C, 0W@150°C

Temperature Range: -55°C to +150°C

Temperature Coefficient: ±100ppm/°C

Vibration: 10-500Hz, 0.25mm, 6Hour: ΔR≤±5%

Shock: 390m/s, 4000cycles, ΔR≤±3%

Electrical Endurance:0.5W@70°C,1000H,ΔR≤3%

Rotational Life: 200Cycles,ΔR≤±3%

### Physical Characteristics

Starting Torque: ≤30mN·m

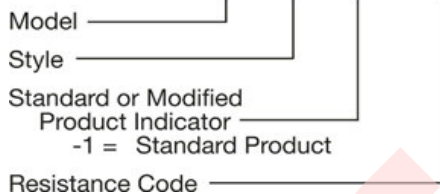
Flammability: UL-94V-0

Marking: Resistance code, Model

Standard Packaging: 50pcs per tube

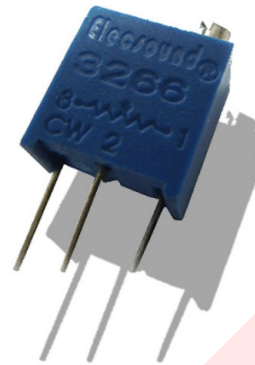
### How To Order:

**ET3266 W - 1 - 103**



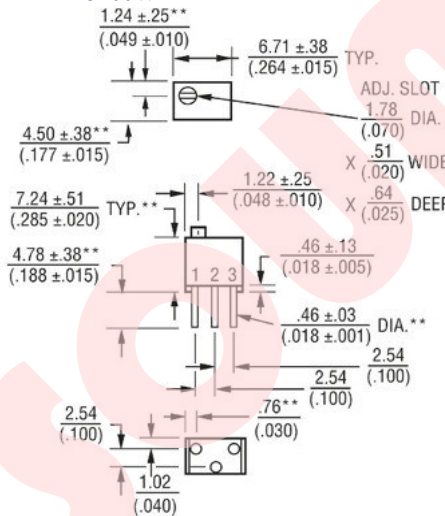
### Standard Resistance Table:

Resistance (Ohms)	Resistance Code
10	100
20	200
50	500
100	101
200	201
500	501
1000	102
2000	202
5000	502
10000	103
20000	203
25000	253
50000	503
100000	104
200000	204
250000	254
500000	504
1000000	105
2000000	205

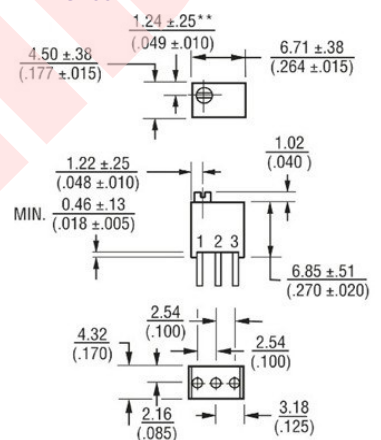


### ET3266 Common Dimension & Adjust Method

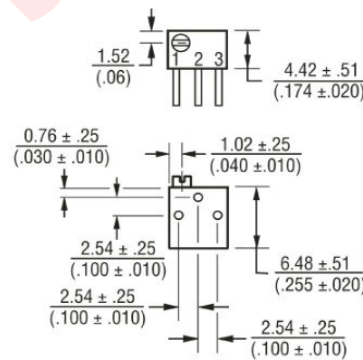
#### ET3266W



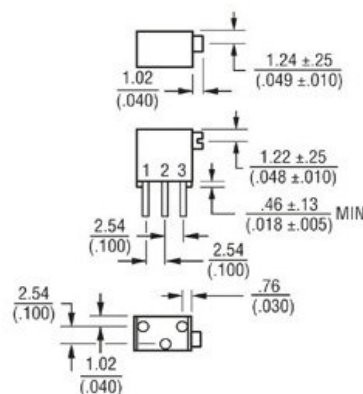
#### ET3266Y



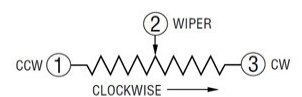
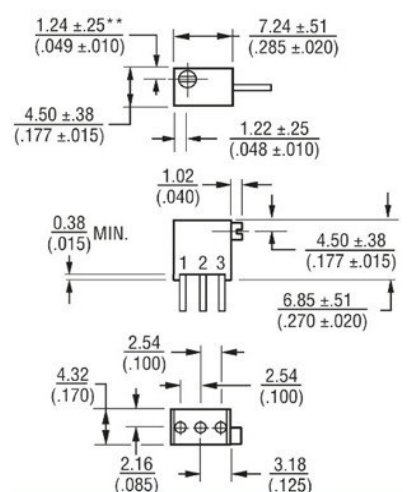
#### ET3266P



#### ET3266X



#### ET3266Z



# Elecsound Technology Company Limited

TEL: 0086-755-82908842

FAX: 0086-755-83045964

Website: www.elecsound.com

Email: sales@elecsound.com