

# Single Turn Potentiometer

## ET063 6mm Carbon Trimming Potentiometer

**ELECSOUND®**

Elecsound is a leading manufacturer of trimming potentiometers with more than 10 years experiences in manufacturer. Our factory is located in Chengdu, China. Our products include: 3006, 3262, 3266, 3269, 3296, 3299, 3303, 3306, 3309, 3318, 3323, 3329, 3362, 3386, 3540 and 3590.

### Features:

- Round/ Single-Turn / Open Frame
- Recommendel for Reflow Processing
- Rotor Design compatible with automatic equipment
- 3mm size meets EIA/EIAJ standard trimmer fortprint
- Supplied in 8mm embossed tape
- Rohs Compliant

### How to order:

**ET063 RM-103**

Model \_\_\_\_\_

Style \_\_\_\_\_

RM: Carbon film base Phenolic

Resistance Code \_\_\_\_\_

### Standard Resistance Table:

Resistance (Ohms)	Resistance Code
100	101
200	201
500	501
1000	102
2000	202
5000	502
10000	103
20000	203
25000	253
50000	503
100000	104
200000	204
250000	254
500000	504
1000000	105
2000000	205

### Electrical Characteristics

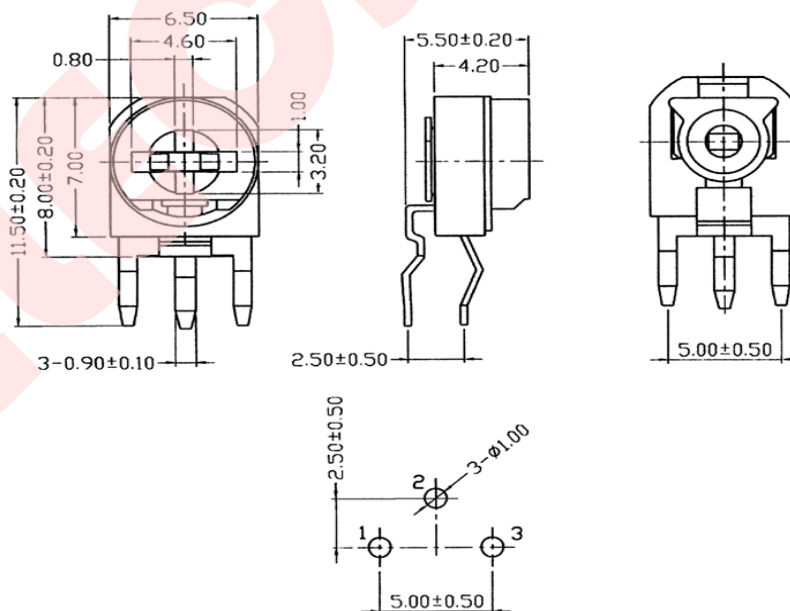
- Standard Resistance Range: 100Ω - 2MΩ
- Resistance Tolerance: ±20% std.
- Adjustment Angle: 240° ±20°
- Residual Resistance: 2%

### Environmental Characteristics

- Power Rating:(100V max)0.3W@70°C
- Temperature Range: -30°C to +85°C
- Temperature Coefficient: ±250ppm/°C
- Rotational Life: 200Cycles, ΔR≤±10%
- Endurance:0.3W@70°C,500H,ΔR≤10%

### Physical Characteristics

- Operating Torque: ≤35mN·m
- Soldering conditions: 260°C, 3 seconds
- Marking: Resistance code
- Standard Packaging: 500pcs per bag



RECOMMEND P.C.B LAYOUT

# Single Turn Potentiometer

## ET065 6mm Carbon Trimming Potentiometer

**ELECSOUND®**

Elecsound is a leading manufacturer of trimming potentiometers with more than 10 years experiences in manufacturer. Our factory is located in Chengdu, China. Our products include: 3006, 3262, 3266, 3269, 3296, 3299, 3303, 3306, 3309, 3318, 3323, 3329, 3362, 3386, 3540 and 3590.

### Features:

- Round/ Single-Turn / Open Frame
- Recommend for Reflow Processing
- Rotor Design compatible with automatic equipment
- 3mm size meets EIA/EIAJ standard trimmer footprint
- Supplied in 8mm embossed tape
- Rohs Compliant

### How to order:

Model ET065- RM- 103

Style \_\_\_\_\_

RM: Carbon film base Phenolic

Resistance Code \_\_\_\_\_

### Standard Resistance Table:

Resistance (Ohms)	Resistance Code
100	101
200	201
500	501
1000	102
2000	202
5000	502
10000	103
20000	203
25000	253
50000	503
100000	104
200000	204
250000	254
500000	504
1000000	105
2000000	205

### Electrical Characteristics

- Standard Resistance Range: 100Ω - 2MΩ
- Resistance Tolerance: ±20% std.
- Adjustment Angle: 240° ±20°
- Residual Resistance: 2%

### Environmental Characteristics

- Power Rating:(100V max)0.3W@70°C
- Temperature Range: -30°C to +85°C
- Temperature Coefficient: ±250ppm/°C
- Rotational Life: 200Cycles, ΔR≤±10%
- Endurance:0.3W@70°C,500H,ΔR≤10%

### Physical Characteristics

- Operating Torque: ≤35mN·m
- Soldering conditions: 260°C, 3 seconds
- Marking: Resistance code
- Standard Packaging: 500pcs per bag

