

# Ceramic Capacitors

## EC1 Low Voltage Ceramic Capacitor

**ELECSOUND®**

Elecsound is a leading manufacturer of ceramic capacitors, including: disc ceramic capacitors, multilayer ceramic capacitors, Safty cearmic capacitors and ceramic trimmer capacitors.

### Features:

Have various category of T.C are available for by-passing,coupling, low DF and resonant circuit of low stability capacitance



Capacitance Range		(Capacitance Range)PF			
Dmax(mm)	Dimension	Y5P	Y5U	Y5V	Z5Y
5.0	Test Volt -age(U <sub>R</sub> =50V)	100-1200	470-1500	2200-4700	1000-5600
6.0		1500-2200	2200-4700	5600-10000	6800-10000
7.0		2700-3300	3600-6800	8200-15000	15000-22000
8.0		3600-4700	6800-10000	20000-22000	22000-25000
9.0		5100-6800	15000	25000	30000-100000
10.0		7500-10000	22000	33000	47000-200000
12.0				33000	47000
14.0			47000		
6.0	Test Volt -age(UR=50V)	100-680	470-1000	1000-1500	1500-2200
8.0		820-1200	1500-2000	2200-3300	3300-5600
10.0		1500-2200	2200-3000	4700-6800	6800-8200
12.0		2200-4700	3300-5600	8200-10000	10000-15000
14.0		3300-6800	6800-10000	15000	22000
16.0		8200-10000			

operating Voltage: 50-500V

Test Voltage:2.5U<sub>R</sub>.

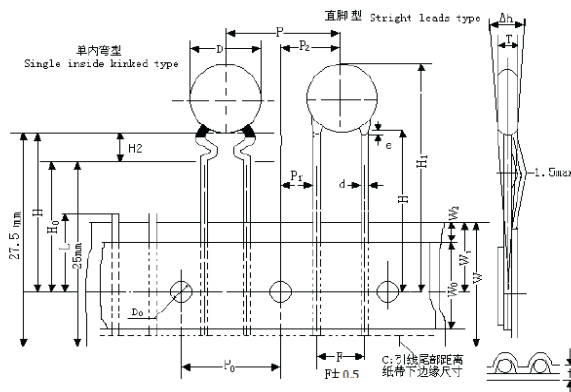
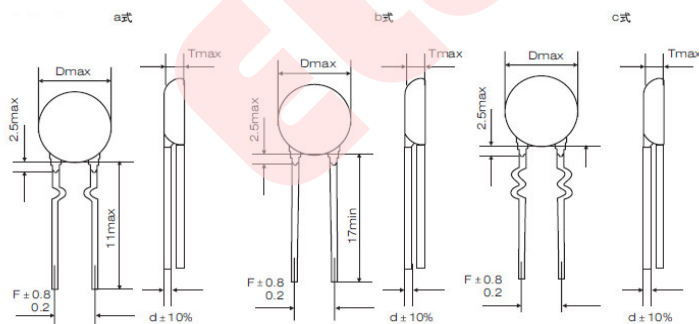
I.R:Insulation resistance R<sub>i</sub> ≥ 4000MΩ .

tangent of loss angel: Y5P: tgδ ≤ 0.025 Y5U Z5U: tgδ ≤ 0.030 Y5V Z5V: tgδ ≤ 0.035

Rated voltage	D		E	F	G	J	K	L
Letter symbol	D		E	F	G	J	K	L
Rated voltage	16V		25V	50V	100V	160V	250V	500V
Letter symbol	N		M	P	Q	X	Y	
Rated voltage	1KV		2KV	3KV	4KV	250VAC	400VAC	

Diameter	4		5	6	7	8	9	10	12
Symbol	4		5	6	7	8	9	10	12
Diameter(mm)	4.0		5.0	6.0	7.0	8.0	9.0	10.0	12.0

### DIMENSIONS



NOTE: Lead style and distance are fit of JIS and EIA standard. Other we can produce with customers requirement.

**Elecsound Technology Company Limited**

TEL: 0086-755-82908842

FAX: 0086-755-83045964

Website: [www.elecsound.com](http://www.elecsound.com)

Email: [sales@elecsound.com](mailto:sales@elecsound.com)