

# Chip Aluminum Electrolytic Capacitors

## EAS5 - Bi-Polar 105°C Aluminum Electrolytic Capacitors

ELECSOUND®

Elecsound is a leading manufacturer of aluminum electrolytic capacitors. Mainly include radial type electrolytic capacitors and chip aluminum electrolytic capacitors.

### Features:

- Bi-polar with general temperature 105°C.
- Emboss carrier tape packing system is available for automatic ins.
- Available for reflow soldering
- Available for high density surface mounting
- Designed for surface mounting on density circuit board.
- Load life of 2000 hours at 105 °C
- Rohs Compliant

### Specifications:

- Operating Temperature Range(°C): -55~+105
- Rated Voltage Range(V): 6.3~50V
- Nominal Capacitance Ranger(μF): 0.1~47
- Capacitance Tolerance(20 °C, 120Hz) : 20%
- Leakage current ( After 2 minutes' application of rated voltage, leakage current is not more than 0.002CV or 0.5(μA), whichever is greater.

### Resistance to Soldering Heat

Capacitance Change	Within ±10% of the initial value
Tanδ	Initial specified value or less
Leakage Current	Initial specified value or less

### Dissipation Factor(25 °C, 120Hz)

Rated Voltage (VDC)	6.3	10	16	25	35	50
Tanδ (max)	0.24	0.2	0.17	0.17	0.15	0.15

Measurement frequency: 120Hz, Temperature: 20°C

### Stability at Low Temperature (Measurement frequen

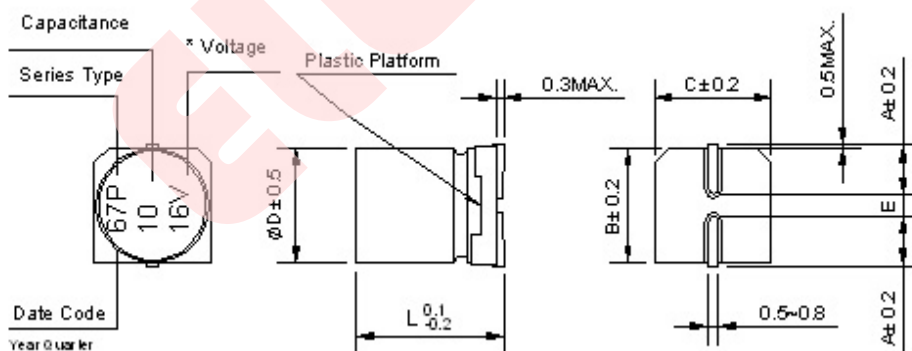
Rated voltage (V.DC)	6.3	10	16	25	35	50
Impedance ratio ZT/Z20 (max)	Z(-25°C)/Z(20°C)	4	3	2	2	2
	Z(-40°C)/Z(20°C)	8	6	4	4	3

### Load Life(+105 °C)

Time	1000 hours	Time	1000 hours
Leakage Current	Not more than the specified value.	Leakage Current	Not more than the specified value.
Capacitance Change	Within ±25% of the initial value.	Capacitance Change	Within ±10% of the initial value.
Dissipation Factor	Not more than 200% of the specified value.	Dissipation Factor	Not more than 200% of the specified value.

### Shelf Life(+105 °C)

### Dimensions : (Unit:MM)



D×L	4×5.4	5×5.4	6.3×5.4
A	1.8	2.1	2.4
B	4.3	5.3	6.6
C	4.3	5.3	6.6
E ± 0.2	1	1.3	2.2
L	5.4	5.4	5.4

## Elecsound Technology Company Limited

TEL: 0086-755-82908842 FAX: 0086-755-83045964

Website: [www.elecsound.com](http://www.elecsound.com)

Email: [sales@elecsound.com](mailto:sales@elecsound.com)

# Chip Aluminum Electrolytic Capacitors

## EAS5 - Bi-Polar 105°C Aluminum Electrolytic Capacitors

ELECSOUND®

Frequency Correction Factor of Rated Ripple

Frequency	50Hz	120Hz	300Hz	1kHz	10kHz~
Coefficient	0.7	1	1.17	1.36	1.5

Standard size & Maximum permissible ripple

WV		6.3		10		16		25		35		50	
		0J		1A		1C		1E		1V		1H	
Cap. (μF)		Case Size	Ripple Current	Case Size	Ripple Current	Case Size	Ripple Current	Case Size	Ripple Current	Case Size	Ripple Current	Case Size	Ripple Current
0.1	0R1	-	-	-	-	-	-	-	-	-	-	4×5.4	1
0.22	R22	-	-	-	-	-	-	-	-	-	-	4×5.4	2
0.33	R33	-	-	-	-	-	-	-	-	-	-	4×5.4	2.8
0.47	R47	-	-	-	-	-	-	-	-	-	-	4×5.4	4
1	10	-	-	-	-	-	-	-	-	-	-	4×5.4	8.4
2.2	2R2	-	-	-	-	-	-	-	-	4×5.4	8.4	5×5.4	13
3.3	3R3	-	-	-	-	-	-	5×5.4	12	5×5.4	16	5×5.4	17
4.7	4R7	-	-	-	-	4×5.4	12	5×5.4	16	5×5.4	18	6.3×5.4	20
10	100	-	-	4×5.4	17	5×5.4	23	6.3×5.4	27	6.3×5.4	29	-	-
22	220	5×5.4	28	6.3×5.4	33	6.3×5.4	37	-	-	-	-	-	-
33	330	6.3×5.4	37	6.3×5.4	41	6.3×5.4	49	-	-	-	-	-	-
47	470	6.3×5.4	45	-	-	-	-	-	-	-	-	-	-

Ripple Current (mA rms) at 105°C 120Hz

**Elecsound Technology Company Limited**

TEL: 0086-755-82908842 FAX: 0086-755-83045964

Website: [www.elecsound.com](http://www.elecsound.com)

Email: [sales@elecsound.com](mailto:sales@elecsound.com)