

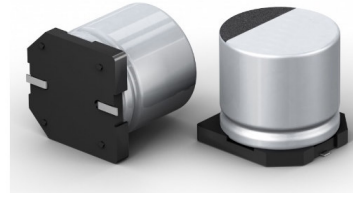
Chip Aluminum Electrolytic Capacitors

EAS2 - Low Leakage Current Aluminum Electrolytic Capacitor **ELECSOUND**®

Elecsound is a leading manufacturer of aluminum electrolytic capacitors. Mainly include radial type electrolytic capacitors and chip aluminum electrolytic capacitors.

Features:

- Low Leakage current (0.5μA to 3.3μA max.)
- Low cost for replacement of some tantalum applications
- Available for reflow soldering
- Available for high density surface mounting
- Designed for surface mounting on density circuit board.
- Load life of 2000 hours at 85 °C
- Rohs Compliant



Specifications:

- Operating Temperature Range(°C): -40~+85
- Rated Voltage Range(V): 6.3~50V
- Nominal Capacitance Ranges(μF): 0.1~220
- Capacitance Tolerance(20 °C,120Hz) : 20%
- Leakage current (μA): After 2 minutes' application of rated voltage, leakage current is not more than 0.002CV or 0.5(μA), whichever is greater.

Resistance to Soldering Heat

Capacitance Change	Within ±10% of the initial value
Tanδ	Initial specified value or less
Leakage Current	Initial specified value or less

Surge Voltage & Tan δ(Max.)

Rated Voltage (VDC)	6.3	10	16	25	35	50
Surge voltage (V.DC)	8	13	20	32	44	63
Tanδ (max)	0.24	0.2	0.16	0.14	0.12	0.1

Measurement frequency: 120Hz, Temperature: 20°C

Stability at Low Temperature (Measurement frequency: 120Hz)

Rated voltage (V.DC)	6.3	10	16	25	35	50	
Impedance ratio ZT/Z20 (max)	(-25°C)/Z(20°C)	4	3	2	2	2	2
	(-40°C)/Z(20°C)	8	6	4	4	3	3

Load Life(+85 °C)

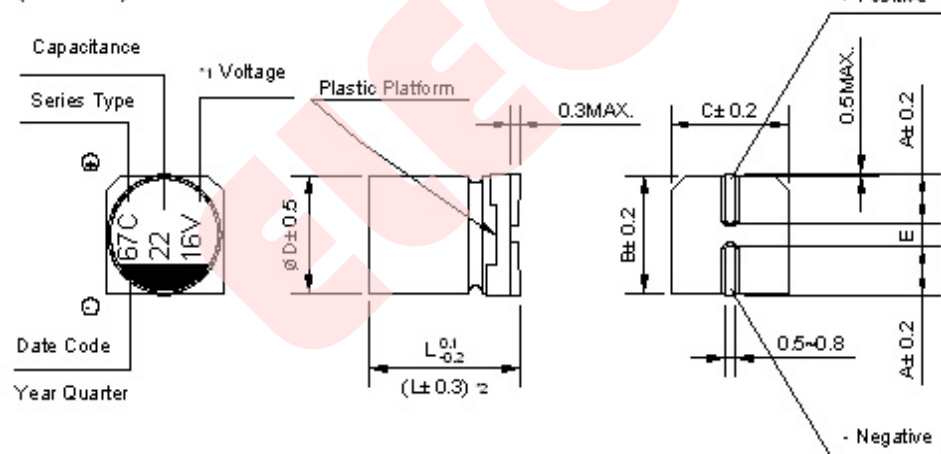
Time	2000 hours
Leakage Current	Not more than the specified value.
Capacitance Change	Within ±25% of the initial value.
Dissipation Factor	Not more than 200% of the specified value.

Shelf Life(+85 °C)

Time	1000 hours
Leakage Current	Not more than the specified value.
Capacitance Change	Within ±15% of the initial value.
Dissipation Factor	Not more than 200% of the specified value.

Dimensions : (Unit:MM)

(∅ 4~∅ 6.3)



D×L	4×5.4	5×5.4	6.3×5.4	6.3×7.7
A	1.8	2.1	2.4	2.4
B	4.3	5.3	6.6	6.6
C	4.3	5.3	6.6	6.6
E ± 0.2	1	1.3	2.2	2.2
L	5.4	5.4	5.4	7.7

Elecsound Technology Company Limited

TEL: 0086-755-82908842 FAX: 0086-755-83045964

Website: www.elecsound.com

Email: sales@elecsound.com

Chip Aluminum Electrolytic Capacitors

EAS2 - Low Leakage Current Aluminum Electrolytic Capacitor **ELECSOUND**®

Frequency Correction Factor of Rated Ripple Current

Frequency	50Hz	120Hz	300Hz	1kHz	10kHz~
Coefficient	0.7	1	1.17	1.36	1.5

Standard size & Maximum permissible ripple current

WV		6.3			10			16		
		0J			1A			1C		
Cap. (μF)		Case Size	ESR (max)	Ripple Current	Case Size	ESR (max)	Ripple Current	Case Size	ESR (max)	Ripple Current
10	100	-	-	-	-	-	-	4×5.4	34.5	25
22	220	4×5.4	23.5	31	5×5.4	19.6	35	5×5.4	15.7	39
33	330	5×5.4	15.7	39	5×5.4	13.1	43	6.3×5.4	10.5	57
47	470	5×5.4	11	47	6.3×5.4	9.2	59	6.3×5.4	7.3	68
100	101	6.3×5.4	5.2	75	6.3×5.4	4.3	76	6.3×7.7	3.5	96
220	221	6.3×7.7	2.4	85	-	-	-	-	-	-

WV		25			35			50		
		1E			1V			1H		
Cap. (μF)		Case Size	ESR (max)	Ripple Current	Case Size	ESR (max)	Ripple Current	Case Size	ESR (max)	Ripple Current
0.1	0R1	-	-	-	-	-	-	4×5.4	2156	1
0.22	R22	-	-	-	-	-	-	4×5.4	980	2.3
0.33	R33	-	-	-	-	-	-	4×5.4	653	3.5
0.47	R47	-	-	-	-	-	-	4×5.4	459	5
1	10	-	-	-	-	-	-	4×5.4	216	10
2.2	2R2	-	-	-	-	-	-	4×5.4	98	15
3.3	3R3	-	-	-	-	-	-	4×5.4	65	18
4.7	4R7	4×5.4	64.2	19	4×5.4	55.1	20	5×5.4	46	23
10	100	5×5.4	30.2	28	5×5.4	25.9	30	6.3×5.4	22	34
22	220	6.3×5.4	13.7	52	6.3×5.4	11.8	54	6.3×7.7	9.8	85
33	330	6.3×5.4	9.1	63	6.3×7.7	7.8	105	-	-	-
47	470	6.3×7.7	6.4	100	6.3×7.7	5.5	110	-	-	-

Max. E.S.R. (Ω) at 20°C 120Hz, Ripple Current (mA rms) at 85°C 120Hz