

# Aluminum Electrolytic Capacitors

## EAR2-CD268 High Temperature Aluminum Electrolytic Capacitors **ELECSOUND**®

Elecsound is a leading manufacturer of aluminum electrolytic capacitors. Mainly include radial type electrolytic capacitors and chip aluminum electrolytic capacitors.

### Features:

- Load life 1000 hours at 105 °C
- Wide Temperature range
- Smaller size
- Large capacity
- Rohs Compliant

### Specifications:

- Operating Temperature Range(°C): -40~+105 & -25~+105@450V
- Rated Voltage Range(V): 6.3~450
- Nominal Capacitance Ranges(μF): 0.1~10000 @ 6.3~100V ; 0.47~220 @ 160~450V
- Capacitance Tolerance(20 °C,120Hz) : 20%
- Leakage current( μA): 0.01CV or 3mA whichever is smaller(at 25 °C ,after 5 minutes)



### Dissipation Factor tg δ (25 °C,120Hz)

UR (V)	6.3	10	16	25	35	50	63	100	160-400	450
tg δ(Max)	0.25	0.2	0.17	0.15	0.12	0.1	0.1	0.08	0.2	0.25

### Temperature Stability(120Hz)

Rated voltage(v)		6.3	10	16-50	63-100	160-250	400	450
Impedance Ratio	Z-25 °C/Z+20 °C	-	-	-	-	6	8	15
	Z-40 °C/Z+20 °C	8	6	4	3	-	-	-

### Load Life(+105 °C)

Time	1000 hours
Leakage Current	Not more than the specified value.
Capacitance Change	Within ±20% of the initial value.
Dissipation Factor	Not more than 200% of the specified value.

### Shelf Life(+105 °C)

Time	1000 hours
Leakage Current	Not more than the specified value.
Capacitance Change	Within ±15% of the initial value.
Dissipation Factor	Not more than 200% of the specified value.

After test:Rated Voltage to be applied for 60 minutes, 24 to 48 hours before measurement.

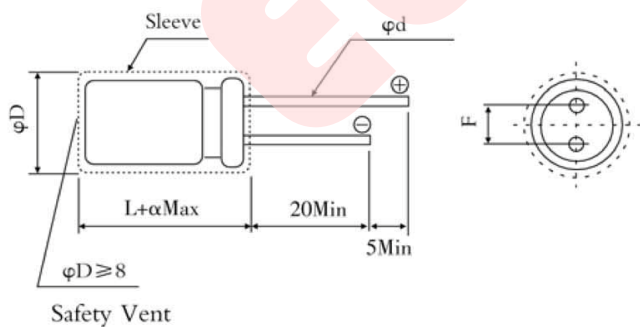
### Frequency coefficient

Frequency (Hz)	Rated Voltage (V)				
	50Hz	120Hz	1KHz	10KHz	100K
≤ 50	0.95	1.00	1.10	1.15	1.15
63~100	0.95	1.00	1.16	1.30	1.33
≥ 160	0.95	1.00	1.20	1.50	1.55

### Temperature coefficient

Temperature (°C)	Rated voltage (V)		
	+70	+85	+105
63~100	2.0	1.7	1.0
160~450	1.8	1.4	1.0

### Dimensions : (Unit:MM)



# Aluminum Electrolytic Capacitors

## EAR2-CD268 High Temperature Aluminum Electrolytic Capacitors **ELECSOUND**®

### Standard Ratings

WV(V)	6.3		10		16		25		35		50		63	
	Size	Ripple	Size	Ripple	Size	Ripple	Size	Ripple	Size	Ripple	Size	Ripple	Size	Ripple
	ΦDxL	mArms	ΦDxL	mArms	ΦDxL	mArms	ΦDxL	mArms	ΦDxL	mArms	ΦDxL	mArms	ΦDxL	mArms
0.1	-	-	-	-	-	-	-	-	-	-	5x11	3	-	-
0.22	-	-	-	-	-	-	-	-	-	-	5x11	4	-	-
0.33	-	-	-	-	-	-	-	-	-	-	5x11	5	-	-
0.47	-	-	-	-	-	-	-	-	-	-	5x11	6	-	-
1	-	-	-	-	-	-	-	-	-	-	5x11	7	-	-
2.2	-	-	-	-	-	-	-	-	-	-	5x11	11	-	-
3.3	-	-	-	-	-	-	-	-	-	-	5x11	15	-	-
4.7	-	-	-	-	-	-	5x11	25	5x11	25	5x11	18	5x11	20
10	-	-	-	-	5x11	20	5x11	30	5x11	35	5x11	26	5x11	30
22	-	-	-	-	5x11	30	5x11	35	5x11	40	5x11	40	6.3x11	50
33	-	-	-	-	5x11	40	5x11	40	5x11	50	6.3x11	60	8x11	60
47	-	-	5x11	45	5x11	50	5x11	50	6.3x11	65	6.3x11	70	8x12	90
100	5x11	60	5x11	80	6.3x11	80	6.3x11	90	8x12	110	8x12	120	10x13	150
220	6x11	100	6x11	110	8x11.5	140	8x12	150	10x13	190	10x16	240	10x20	270
330	8x11	120	8x12	160	8x11.5	180	10x13	220	10x16	260	10x20	320	13x20	380
470	8x12	170	8x12	190	10x12.5	250	10x16	290	10x20	350	13x20	430	13x25	500
1000	10x13	300	10x16	360	10x20	440	13x20	540	13x25	620	16x25	1350	16x31	900
2200	13x20	580	13x20	620	12.5x25	700	16x25	880	16x31	1030	19x35	1230	19x40	1310
3300	13x20	670	13x25	800	16x25	970	16x31	1120	19x35	1320	19x40	1400	22x40	1730
4700	16x25	1000	16x25	1050	16x31.5	1240	19x35	1440	19x40	1540	22x40	1780	-	-
6800	16x25	1120	16x31.5	1300	19x35	1530	19x40	1630	22x40	1880	-	-	-	-
10000	19x35	1320	19x35	1620	19x40	1730	22x40	2200	-	-	-	-	-	-

WV(V)	100		160		200		250		350		400		450	
	Size	Ripple	Size	Ripple	Size	Ripple	Size	Ripple	Size	Ripple	Size	Ripple	Size	Ripple
	ΦDxL	mArms	ΦDxL	mArms	ΦDxL	mArms	ΦDxL	mArms	ΦDxL	mArms	ΦDxL	mArms	ΦDxL	mArms
0.1	5x11	3	-	-	-	-	-	-	-	-	-	-	-	-
0.22	5x11	4	-	-	-	-	-	-	-	-	-	-	-	-
0.33	5x11	5	-	-	-	-	-	-	-	-	-	-	-	-
0.47	5x11	6	5x11	8	8x11	6	8x11	6	-	-	-	-	-	-
1	5x11	9	5x11	12	8x11	9	8x11	9	8x12	12	10x16	15	-	-
2.2	5x11	15	8x11	15	8x11	15	8x12	15	10x13	16	10x16	20	10x16	29
3.3	5x11	18	8x12	20	8x12	20	10x13	20	10x16	20	10x20	25	10x20	35
4.7	5x11	20	8x12	25	10x13	30	10x13	30	10x16	35	13x20	40	13x20	50
10	6.3x11	36	10x13	40	10x16	45	10x20	45	13x20	50	16x25	70	13x25	75
22	8x12	65	10x20	70	10x20	70	13x25	80	13x20	80	16x25	110	16x31	110
33	10x13	95	13x20	110	13x25	110	13x25	100	16x31	140	19x30	180	19x35	250
47	10x16	120	13x25	140	13x25	140	16x25	140	19x35	260	-	-	22x40	230
100	13x20	220	16x25	250	16x31	250	19x35	260	-	-	-	-	-	-
220	16x25	420	19x35	430	-	-	-	-	-	-	-	-	-	-
330	16x31	510	-	-	-	-	-	-	-	-	-	-	-	-
470	19x31	680	-	-	-	-	-	-	-	-	-	-	-	-
1000	19x40	1200	-	-	-	-	-	-	-	-	-	-	-	-

Rated Ripple Current: 105 °C, 100Hz or 120Hz

The Specific capacitance and case size are available on request by customer